

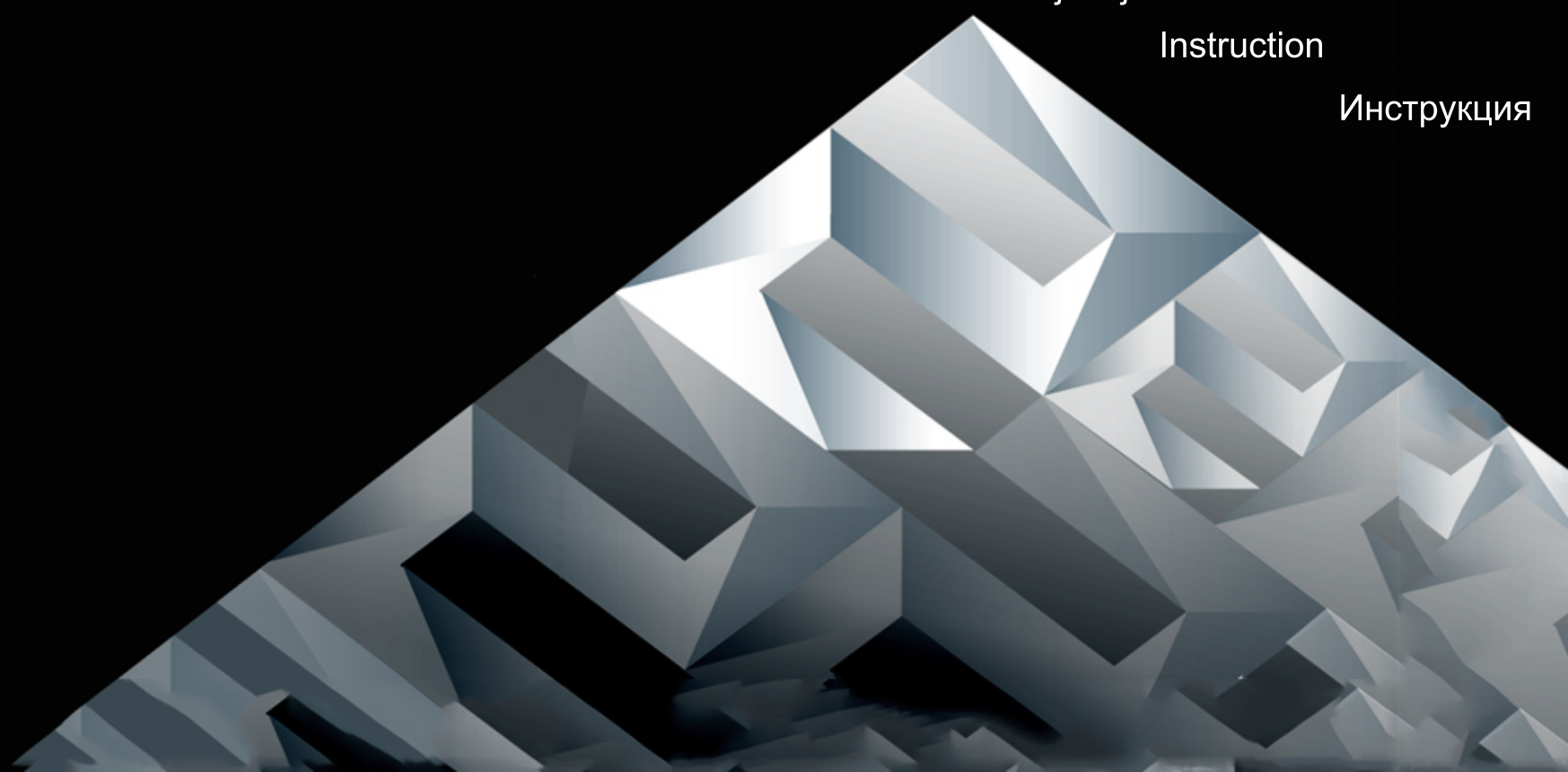


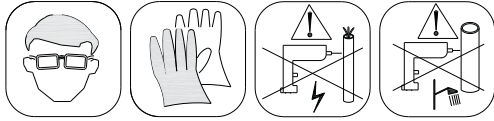
Timo Nura

Ohjekirja

Instruction

Инструкция



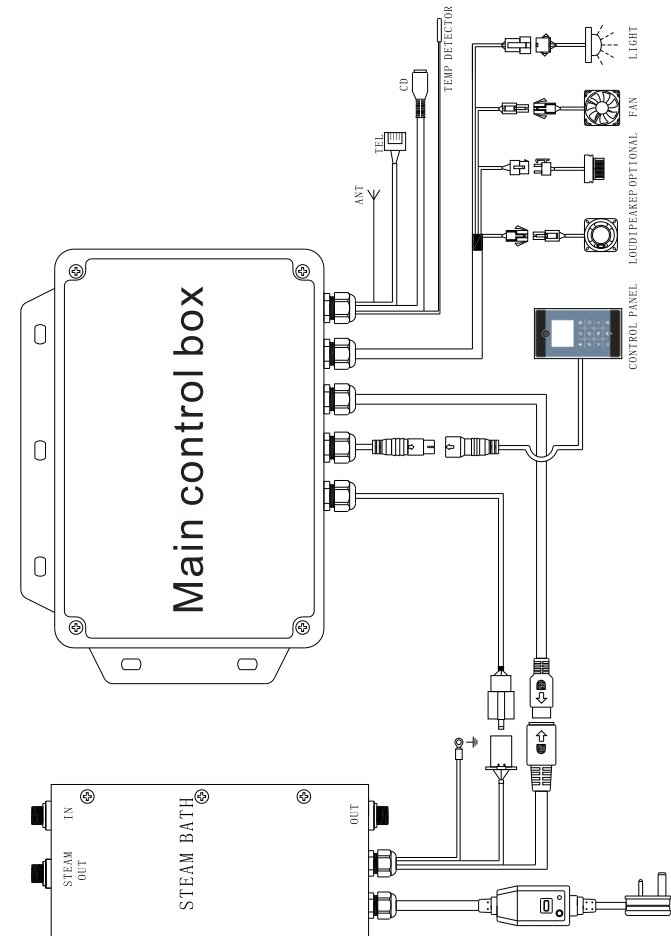
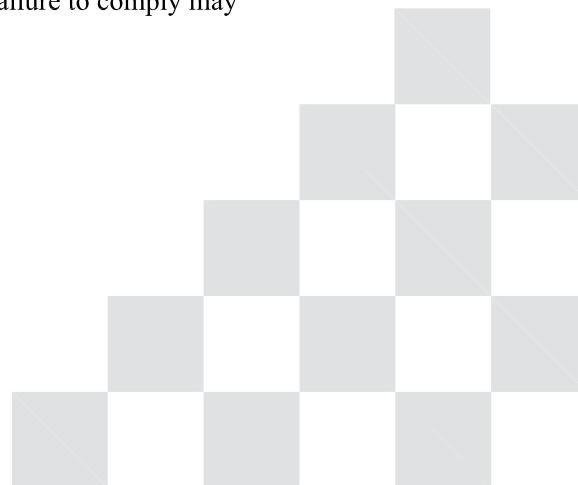


We appreciate your choosing of our shower products, and wish you a pleasant experience with our products and service. Please read Instruction carefully before installation.

IMPORTANT

Please check the shower enclosure for transport damage and completeness before installation. Complaints made following installation cannot be accepted.

Please read carefully the following instructions before installing your shower enclosure to ensure safe and proper use and avoid any injury to either the installer or user .Failure to comply may invalidate your guarantee.



CARE INSTRUCTIONS

Shower enclosures should be cleaned after every use.To prevent limescale from building up, use a squeegee,a soft cloth or chamois leather-but no cleaning-to wipe off any water droplets left after showering.Residue left by bodycare products (liquid soap,shampoo,shower gel) can also cause substances to accumulate.Use water to rinse away residues after use.All sliding door track fittings should also be cleaned this way-to ensure that they continue run smoothly.

- **Don't allow limescale to build up-especially in hard water areas**
- **If you do get a stubborn limescale build up,a mixture of 50:50 vinegar and water will help you to clean it away-but make sure all vinegar is rinsed off completely**
Never use strong detergents or cleaning agents
Cleaning materials should wherever possible be rated between PH4 and PH8
In no circumstances should you use any abrasive substance

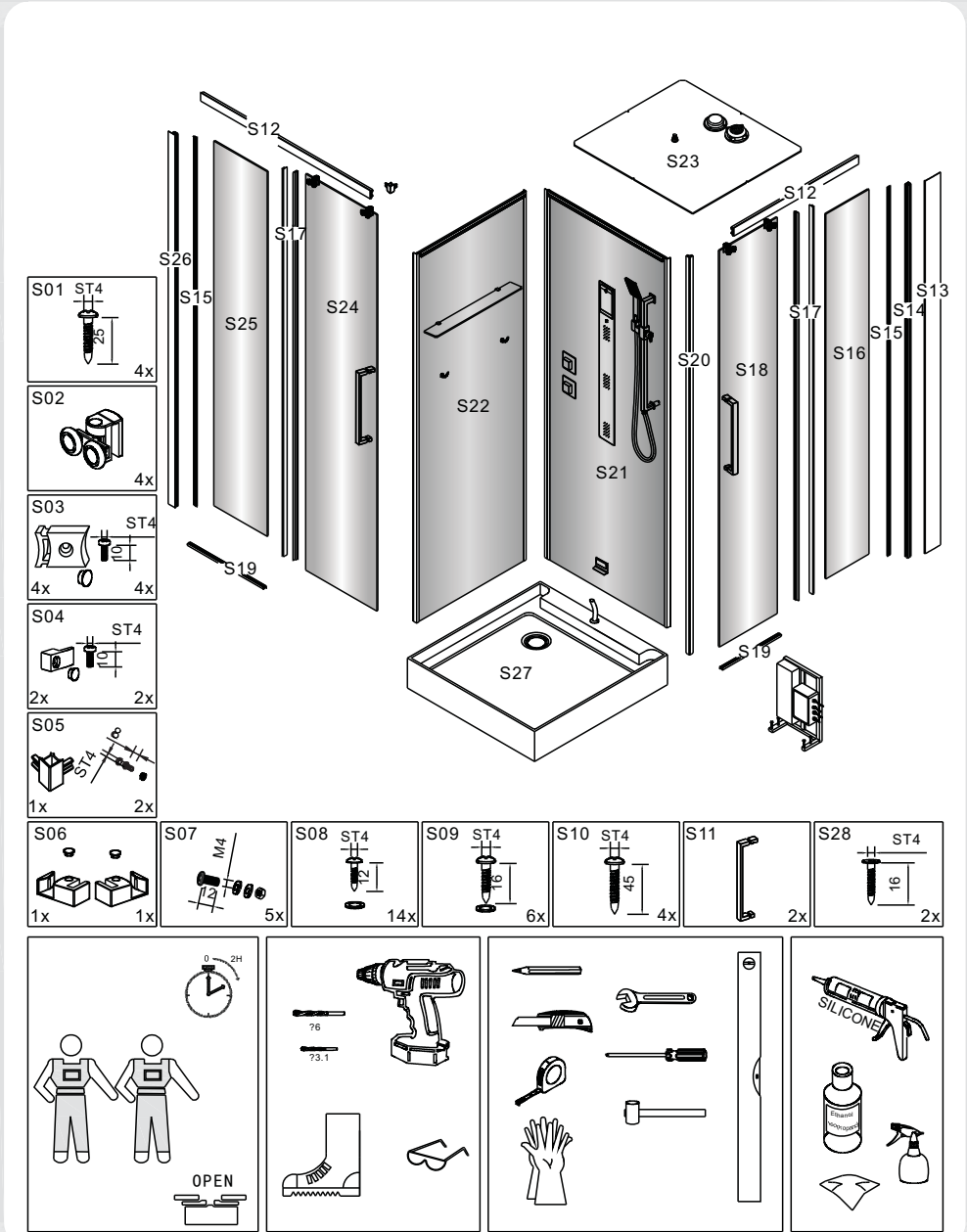
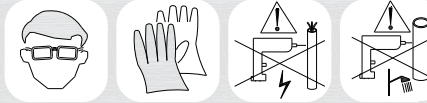
Technical Information

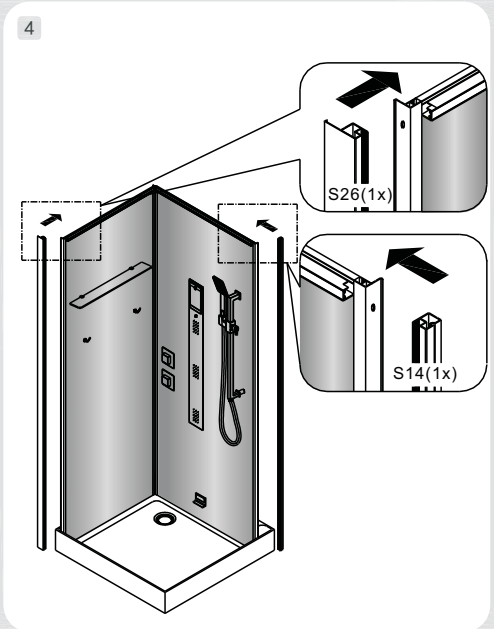
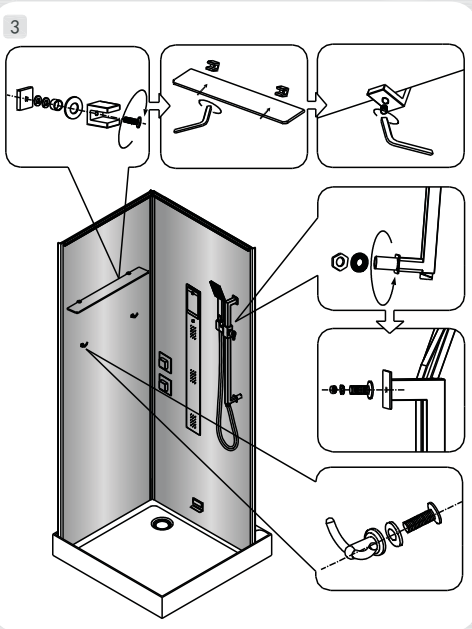
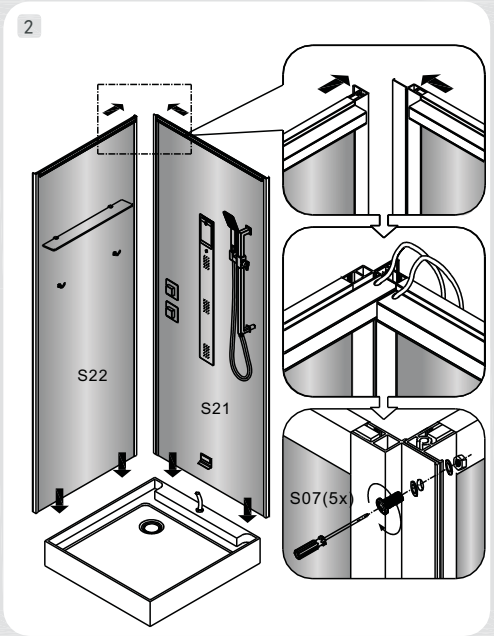
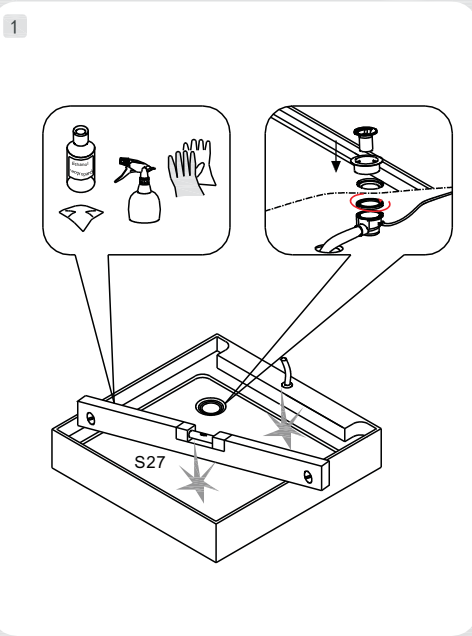
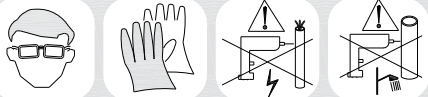
Working Conditions and Property				
Voltage Rating:	AC 110 V	Normal Frequency:	60Hz	
Rated Current:	13.6A	Power Rating:	1800 W	
Insulating Resistance:	> 20 M	Drain Current:	Measured upto enterprise safety standard	
Waterproof Grade:	IPX5	Leak Protection:	(15 ~ 30)mA	
Load Configuration Parameters				
LOAD TYPE	RATED LOAD VOLTAGE	RATED LOAD FREQUENCY	RATED OPERATING POWER	QUANTITY
Steam	Ac110 V	60Hz	1.8 kW	1
Top Light	Dc 5 V	—	5W	1-2
Exhaust	Dc12V	—	4W	1
Electromagnetic Valve	Dc12V	—	5W	2
Speaker	—	—	8 Ω/10W	1-2
Ozone Sterilizer	Ac12V	60Hz	5W	1

Due to a policy of continuous improvement the manufacturer reserves the right to change specification without prior notice

WARNING!

Don't touch the steam outlet when the steam function is on ,and don't block it at anytime.





②. Man-search/store: touch **TUN** key, tuner will start flashing, press key to choose the one you like more, then touch the key **TUN**, store the new tuner (add new tuner into prefer-list).

③. Tuner switch: press key / to increase/decrease the tuner.

④. Volume adjustment: **TUN** press this key, and press key / to adjust the voice volume (range from 0-15DB).

7. Steam

When system on, press the key to start steam function, steam mark will be on; (temperature set at 45 degrees and the time set at 45 minutes by default)

When lack of water, that mark flashes and steam shut off.

8. Telephone

When calling comes, speaker stops work pausely, press key to answer it, and tel mark stop flashing; when calling, you could adjust / to choose right volume; and press key again, phone off and speaker will be on.

9. Steam adjustment

①. steam time adjusting: key to choose time, then press / key to increase steam time (range from 1-99mins).

②. steam temperature: press to choose temperature, key / to raise/lower the temperature (range from 20-60°C).



10. Unlocking

If there is no any further operation on touch panel in 20secs, system will be locked auto, mark will flashes, press key for 2 secs or more to unlock panel, then all of key s active on.


11. Warning

When system on, press key to open warning function, the same time light and fan are all starting working; touch it again to shut it off.


1. power on/off

When system on standby state, press this  key(2 seconds or more),then display on, simultaneously lights on;Press  key again,system off(if no any further operation in 1hour,system auto-off);When system off,touch the panel anywhere,key light will turn on,but it will be off in 5 seconds if no power on.




2. Ozoner

When system on, press the panel  key, ozone function will be turn on; then touch it once again,ozoner closes;and the same time,fan and light will be on.



3. Fan

When system on,touch the panel  key,fan will work on;then touch it once again,fan function closes;the same time there will be fan mark on/off in display.


4. light

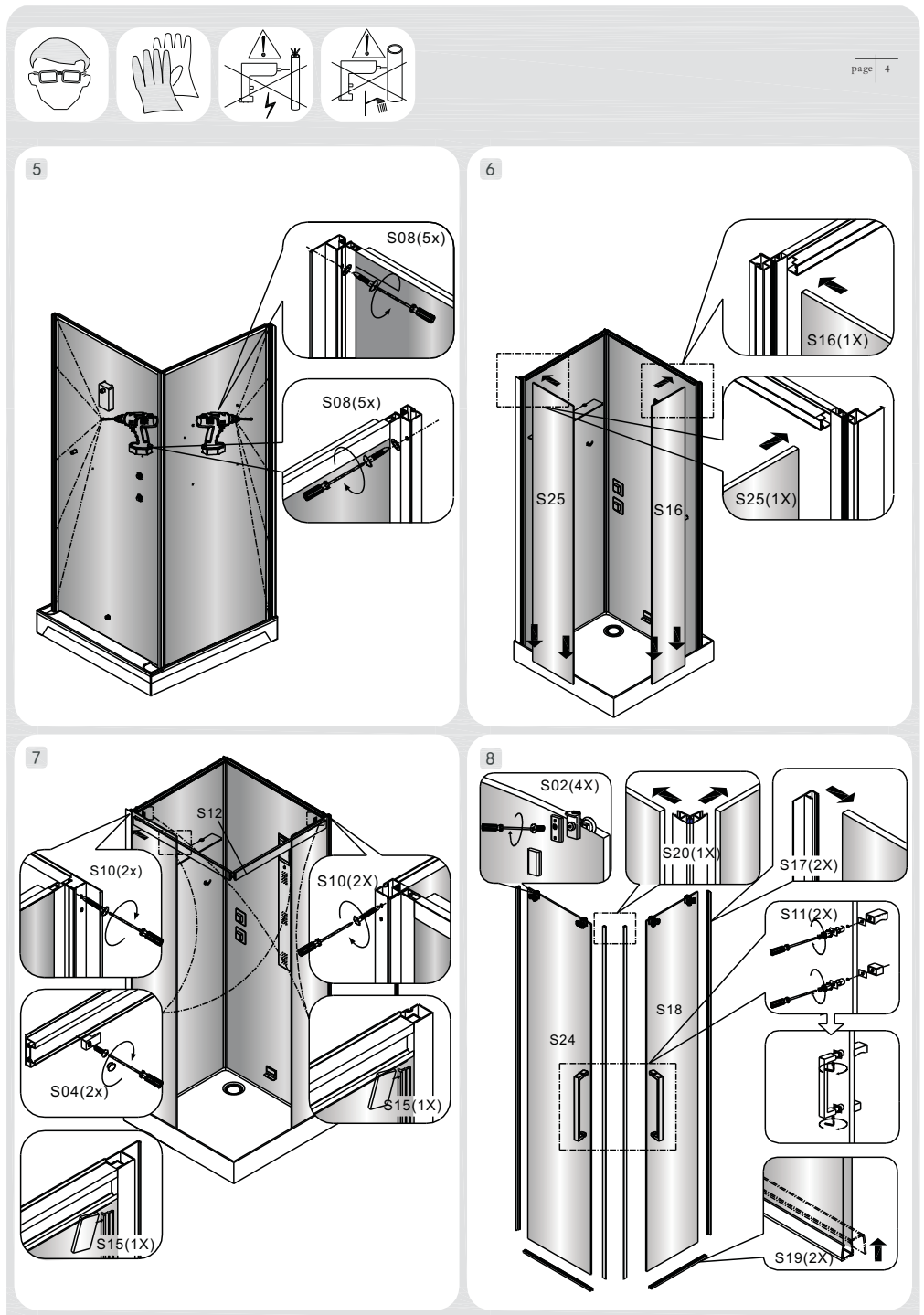
When system on,Press the light  the light turn off, press the light  again,the light turn on. then pressing the light and the keep the light color, and then press the light  again , the light turn off.

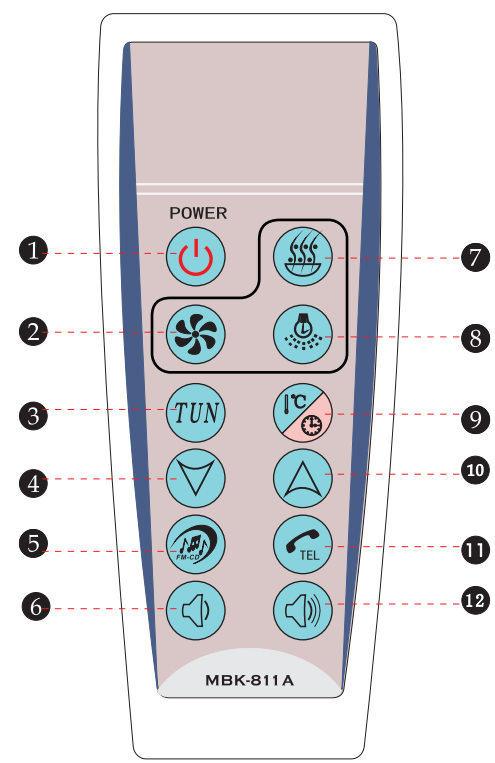
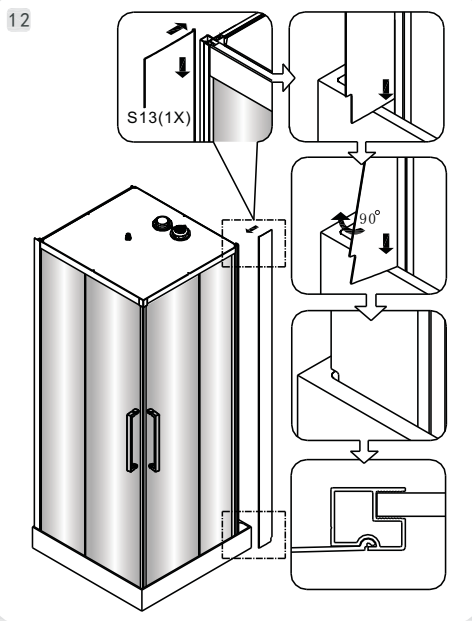
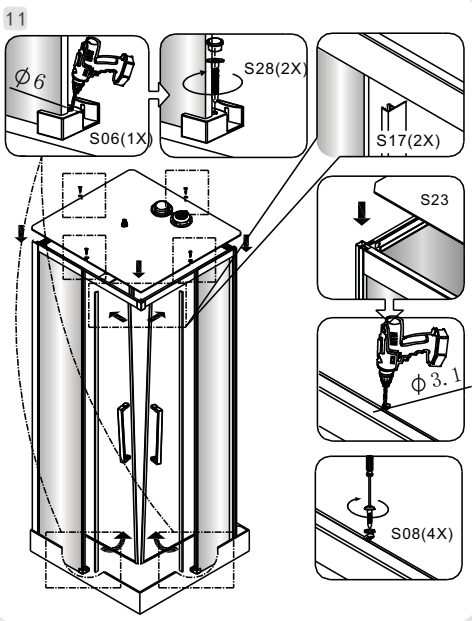
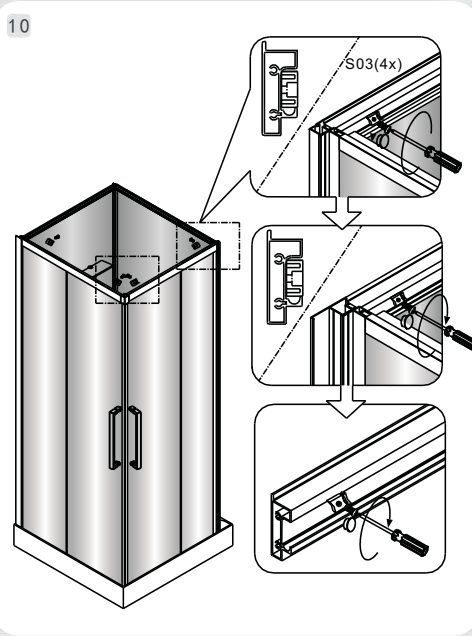
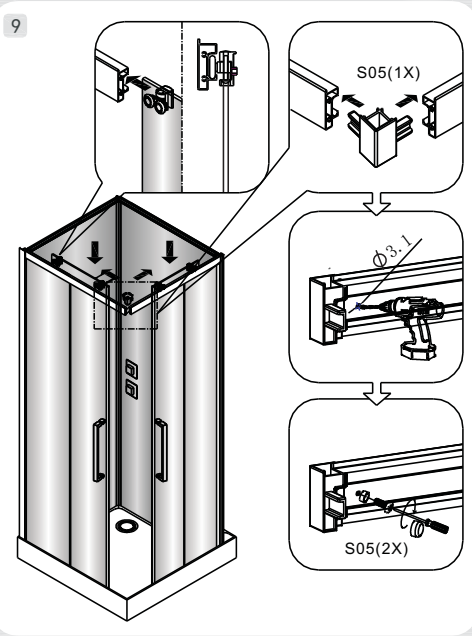
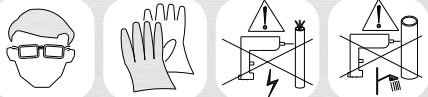
5. FM/CD

When system on,firstly touch the panel  key,radio function on;and radio tuner display on;then touch its  key again,radio function switch into CD;and CD mark will show in display;and touch it once again,CD function shut off.

6. Radio tuner searching(radio on work)

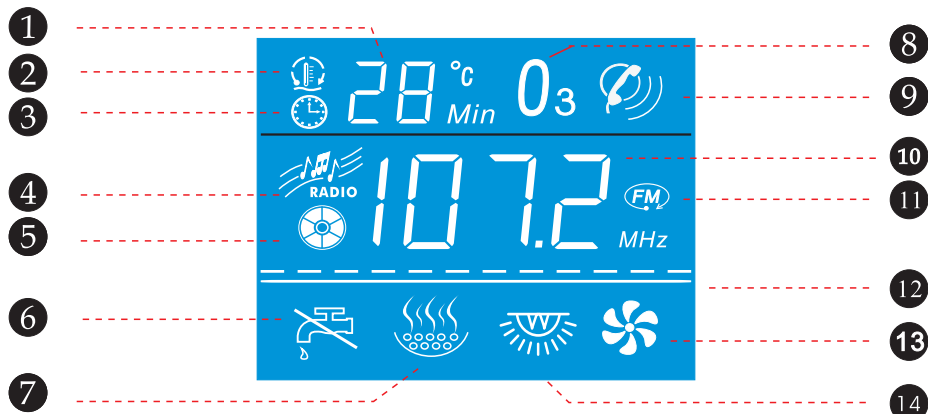
①、 Auto-search/store:press  key for 2 secs or more,auto-search/store function on,tuner range from 87.5-108.0MHZ(fixed tuner quantity 1-32 available,it depends on signal situation).



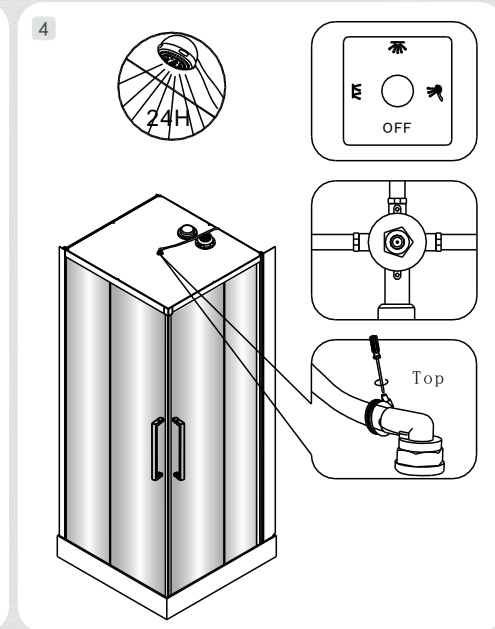
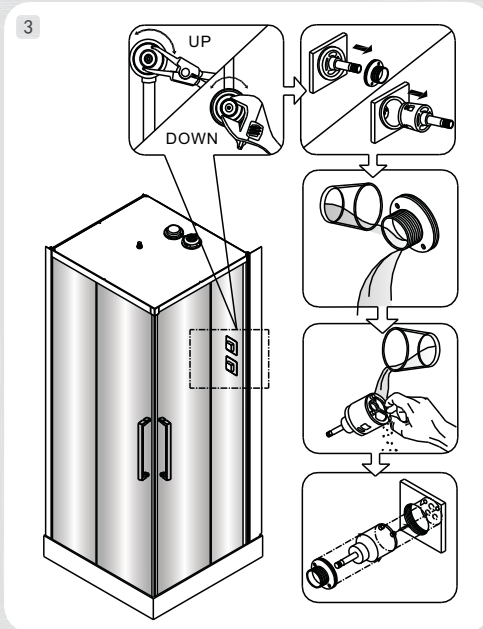
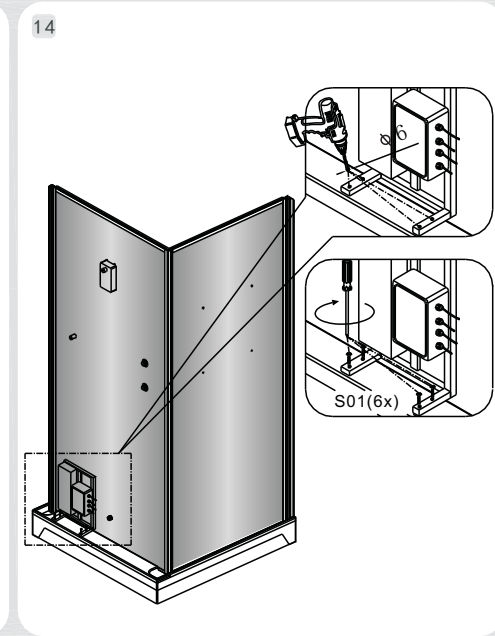
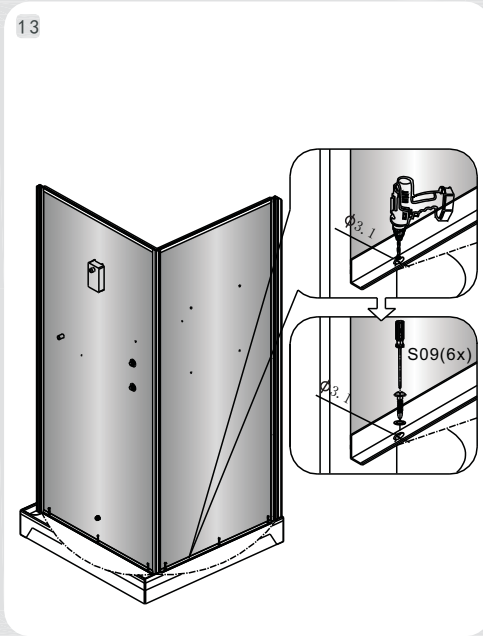
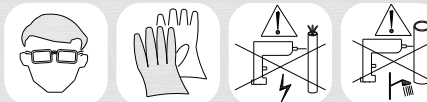


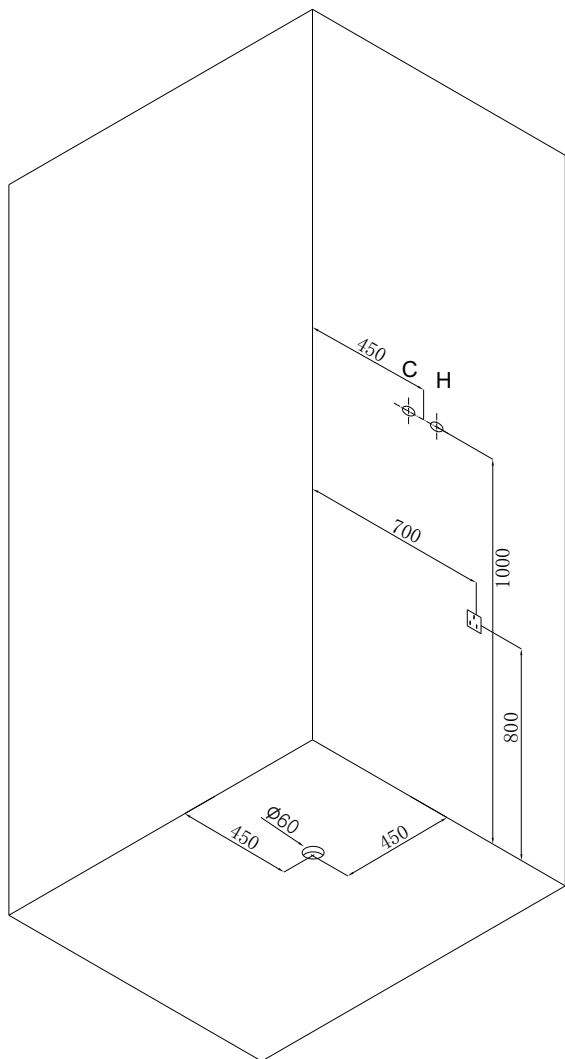
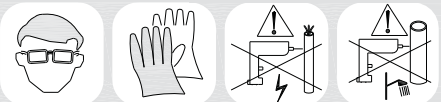
Remote

- | | |
|-------------------------------|-------------------------|
| ① ----- Power ON/OFF & Unlock | ⑦ ----- Steam |
| ② ----- Fan ON/OFF | ⑧ ----- Light ON/OFF |
| ③ ----- FM Tuner Plus Key | ⑨ ----- Steam |
| ④ ----- Decrease | ⑩ ----- Increase |
| ⑤ ----- FM/CD | ⑪ ----- Telephone |
| ⑥ ----- Volume Decrease | ⑫ ----- Volume Increase |

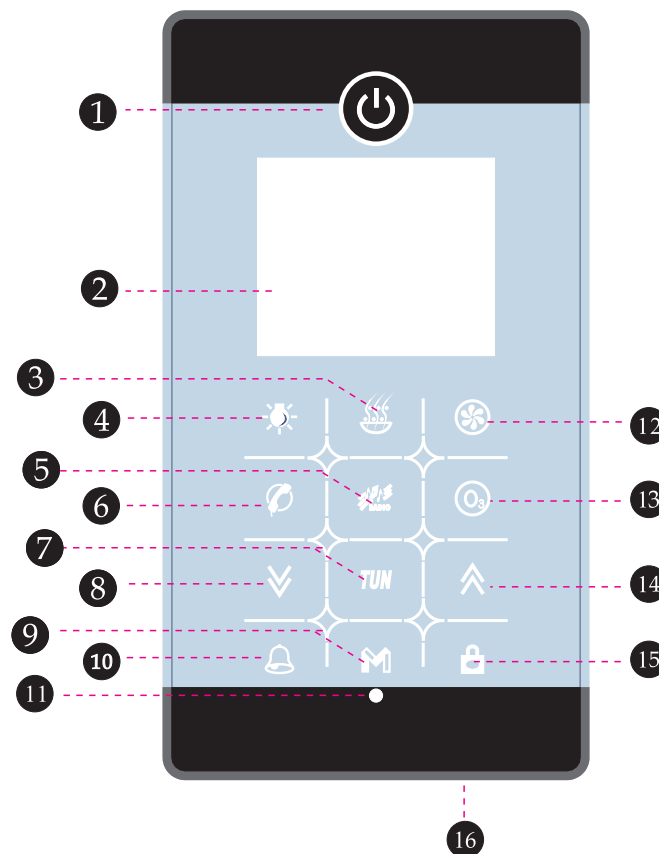


- | | |
|-----------------------------|--------------------------|
| ① ----- Temperature | ⑧ ----- Ozoner |
| ② ----- Temperature setting | ⑨ ----- Telephone |
| ③ ----- Time setting | ⑩ ----- FM tuner |
| ④ ----- Radio | ⑪ ----- FM tuner setting |
| ⑤ ----- CD | ⑫ ----- Locked mark |
| ⑥ ----- Lack of water | ⑬ ----- Fan |
| ⑦ ----- Steam | ⑭ ----- Light |





Control Panel Instruction Manual



- | | |
|------------------------|--------------------------|
| ① ----- ON/OFF Power | ⑨ ----- Manual |
| ② ----- Display screen | ⑩ ----- Warning button |
| ③ ----- Steam | ⑪ ----- Remote reception |
| ④ ----- Light control | ⑫ ----- Fan |
| ⑤ ----- FM/CD on/off | ⑬ ----- Ozoner |
| ⑥ ----- Telephone | ⑭ ----- Increase Key |
| ⑦ ----- FM | ⑮ ----- Key Unlocking |
| ⑧ ----- Decrease Key | ⑯ ----- MIC |